

# CIRCULAR ANTENNAS

**MT009D09RH-ATEX**  
**865 - 956 MHZ, 8.5 DBIC RHCP READER ANTENNA**



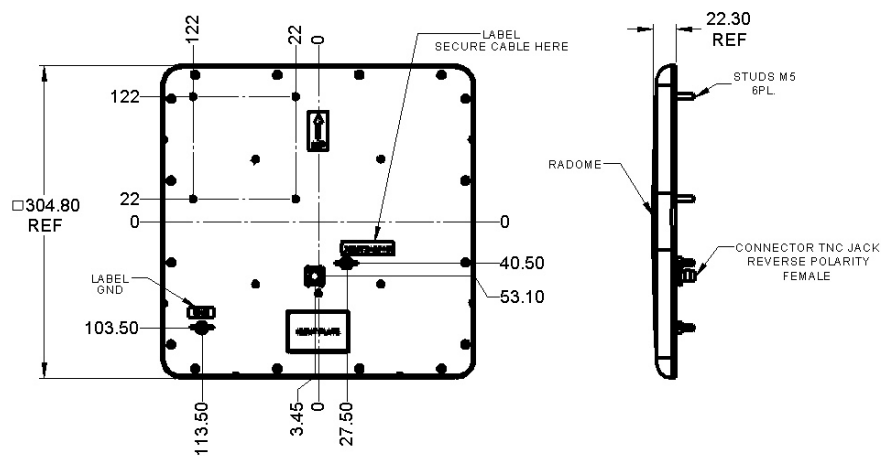
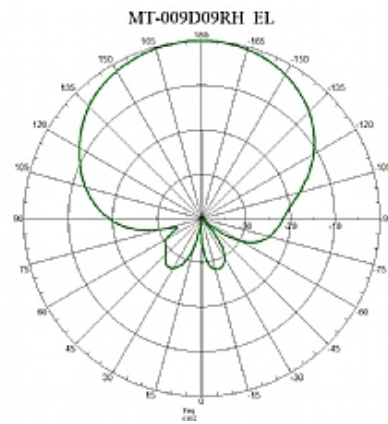
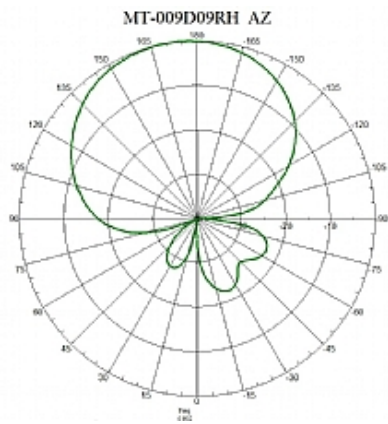
## ELECTRICAL

REGULATORY COMPLIANCE	RoHS , CE 0682,ATEX DIRECTIVE 94/9EC,GROUP I,M1,ia.
FREQUENCY RANGE	865 - 956 MHz
GAIN	7.0 dBic (min) , 8.5 dBic (max) @ 865-870 MHz 7.0 dBic (min) , 9.5 dBic (max) @ 902-928 MHz 7.0dBic (min) , 9.0 dBic (max) @ 950-956 MHz
VSWR	1.2:1 (typ) 1.5 : 1(max)
POLARIZATION	RHCP
3dB ELEVATION BEAMWIDTH	65° (typ)
3dB AZIMUTH BEAMWIDTH	65° (typ)
F/B RATIO	-18 dB (max)
POWER	6W (max)
INPUT IMPEDANCE	50 (ohm)
AXIAL RATIO	865-870 MHz @ 2.5 dB (max) 902-928 MHz @ 1dB(typ) 1.5 dB (max) 950-956 MHz @ 3.0 dB (max)
LIGHTNING PROTECTION	DC Grounded
<b>MECHANICAL</b>	
DIMENSIONS (LxWxD)	305 x 305 x 22.5 mm (max)
CONNECTOR	TNC JACK Reverses Polarity
WEIGHT	1.6 kg (max)
RADOME MATERIAL	PC Conductive
OUTLINE DRAWING	RD44186400M

TEST	STANDARD	DURATION	TEMPERTURE	NOTES
LOW TEMPERATURE	IEC 68-2-1	72 h	-55°C	
HIGH TEMPERATURE	IEC 68-2-2	72 h	+71°C	
TEMP. CYCLING	IEC 68-2-14	1 h	-45°C +70°C	3 Cycles
VIBRATION	IEC 60721-3-4	30 min/axis		Random4M5
SHOCK MECHANICAL	IEC 60721-3-4			4M5
HUMIDITY	ETSI EN300-2-4 T4.1E	144 h		95%
WATER TIGHTNESS	IEC 60529			IP67
SOLAR RADIATION	ASTM G53	1000h		
FLAMMABILITY	UL 94			Class VO
SALT SPRAY	IEC 68-2-11 Ka	168h		
ICE AND SNOW				25mm Radial
WIND SPEED SURVIVAL OPERATION				220 Km/h 160 Km/h
WIND LOAD (SURVIVAL) FRONT THRUST SIDE THRUST				26.6 kg 2.0 kg
THERMAL ENDURANCE TO HEAT	IEC 60079-0 Section 26.8	4 weeks	80°C	
THERMAL ENDURANCE TO COLD	IEC 60079-0 Section 26.9	24h	-60°C	
RESISTANCE TO OILS, GREASE AND HYDRAULIC LIQUIDS	IEC 60079-0 Section 26.11			
RESISTANCE TO LIGHT	IEC 60079-0 Section 26.10.1			
EARTH CONTINUTY	IEC 60079-0 Section 26.12			
SURFACE RESISTANCE- CHARGING TESTS	IEC 60079-0 Section 26.13  Section 26.14			

**AZIMUTH RADIATION PATTERN MIDBAND  
FREQ. 0.902 MHZ**

**ELEVATION RADIATION PATTERN MIDBAND  
FREQ. 0.902 MHZ**



**WAIVER!**

While the information contained in this document has been carefully compiled to the best of our present knowledge, it is not intended as presentation or warranty of any kind on our part regarding the fitness of the products concerned for any particular use or purpose and neither shall any statement contained herein be construed as a recommendation to infringe any industrial property rights or as a license to use any such rights. The fitness of each product for any particular purpose must be checked beforehand with our specialists.

