

# CIRCULAR ANTENNAS

**MT-241030/SLH/A**  
**865 - 956 MHZ, 1.5DBIC READER ANTENNA**



## ELECTRICAL

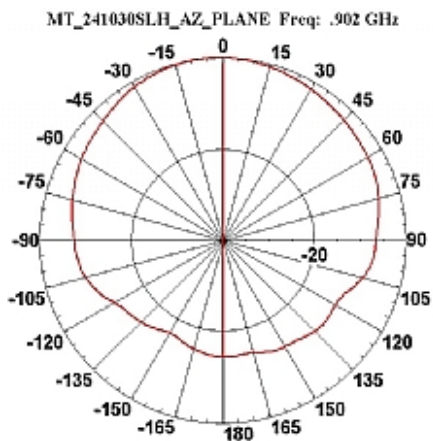
|                          |   |
|--------------------------|---|
| REGULATORY COMPLIANCE    | RoHS, CE 0682   |
| FREQUENCY RANGE          | 865 - 956 MHz   |
| GAIN                     | 0.5dBic (min ) 2.(dBic (max) @ 865-928 MHz<br>1.0- dBic (min) 1.0 dBic (max) @ 950-956 MHz              |
| VSWR                     | 1.3 :1 (typ) , 1.5 : 1(max)   |
| POLARIZATION             | LHCP  |
| 3 dB BEAMWIDTH           | 90° (typ)   |
| F/B RATIO                | -10 dB (typ)  |
| POWER                    | 6W (max)  |
| INPUT IMPEDANCE          | 50 (ohm)  |
| AXIAL RATIO AT BORESIGHT | 2 dB (typ) , 3dB (max) @ 865-870 MHz<br>1dB (typ) ,3.0dB (max)@ 902-928 MHz<br>3dB (typ) ,4dB (max)@950 |
| LIGHTNING PROTECTION     | DC Grounded   |
| <b>MECHANICAL</b>        |   |
| DIMENSIONS (LxWxD)       | 95 x 95 x 32 mm (max)   |
| CONNECTOR                | SMA - Female  |
| WEIGHT                   | 250gr (max)   |
| COLOR                    | RAL - 9002  |
| OUTLINE DRAWING          | RD43025400C   |

## ENVIRONMENTAL

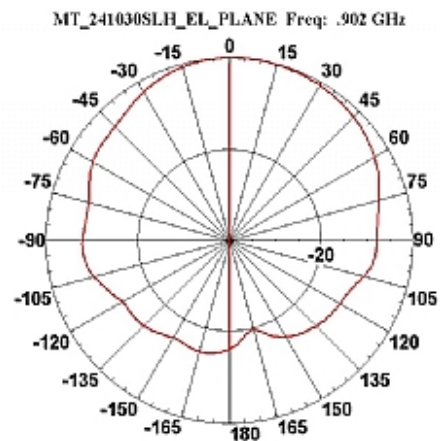
| TEST  | STANDARD             | DURATION    | TEMPERATURE | NOTES                |
|---|----------------------|-------------|-------------|----------------------|
| LOW TEMPERATURE                                     | IEC 68-2-1           | 72 h        | -55°C       |                      |
| HIGH TEMPERATURE                                    | IEC 68-2-2           | 72 h        | +71°C       |                      |
| TEMP. CYCLING                                       | IEC 68-2-14          | 1 h         | -45°C +70°C | 3 Cycles             |
| VIBRATION   | IEC 60721-3-4        | 30 min/axis |             | Random4M3            |
| SHOCK MECHANICAL                                    | IEC 60721-3-4        |             |             | 4M3                  |
| HUMIDITY  | ETSI EN300-2-4 T4.1E | 144 h       |             | 95%                  |
| WATER TIGHTNESS                                     | IEC 529              |             |             | IP67                 |
| SOLAR RADIATION                                     | ASTAM G53            | 1000h       |             |                      |
| SALT SPRAY  | IEC 68-2-11 Ka       | 500h        |             |                      |
| ICE AND SNOW  |                      |             |             | 25mm Radial          |
| WIND SPEED SURVIVAL OPERATION                       |                      |             |             | 220 Km/h<br>160 Km/h |
| WIND LOAD (SURVIVAL)<br>FRONT THRUST<br>SIDE THRUST |                      |             |             | 2.6 kg<br>1.1 kg     |

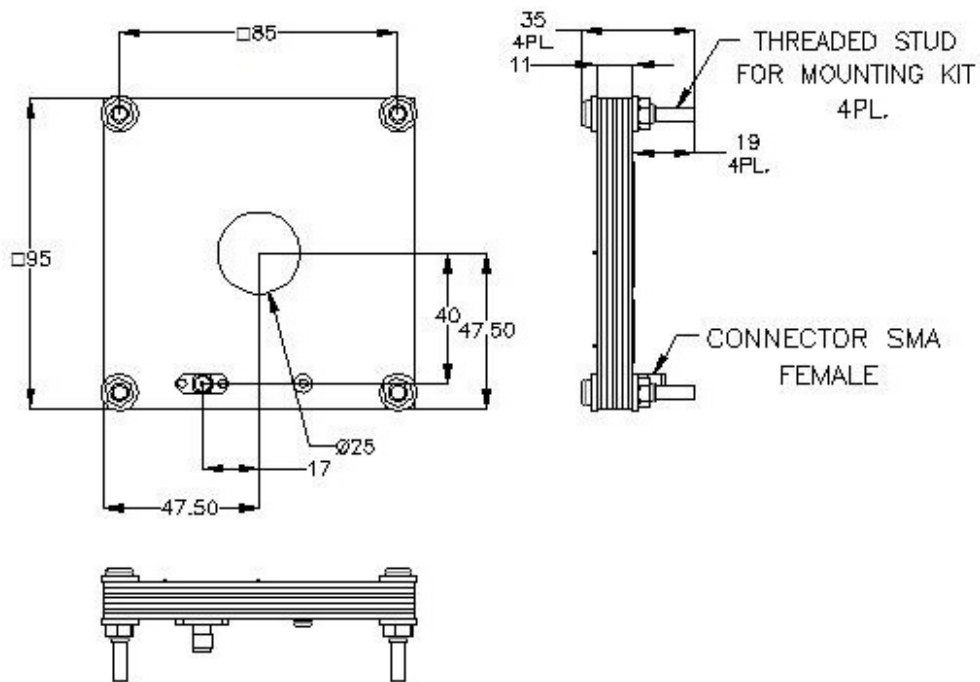
\* Dimensions Do Not Include the Connector

### AZIMUTH RADIATION PATTERN MIDBAND FREQ. 0.902 GHZ



### ELEVATION RADIATION PATTERN MIDBAND FREQ. 0.902 GHZ





#### WAIVER!

While the information contained in this document has been carefully compiled to the best of our present knowledge, it is not intended as presentation or warranty of any kind on our part regarding the fitness of the products concerned for any particular use or purpose and neither shall any statement contained herein be construed as a recommendation to infringe any industrial property rights or as a license to use any such rights. The fitness of each product for any particular purpose must be checked beforehand with our specialists.

**Microtron**<sup>®</sup>  
Flexible electronic solutions