

# DLT-V72 Series

## Rugged X86-Based Vehicle-Mounted Terminal



### Features

- 10.4/12.1" color TFT display
- Abrasion-resistant touchscreen
- IP66 rating for protection from dust and water ingress
- 5M3 certification for shock and vibration tolerance
- Wide operating temperature range (-30 ~ 50 °C/-22 ~ 122 °F) for extreme environments
- Optional uninterruptible power supply via backup battery (supports up to 20 minutes operation)
- Optional screen defroster, ideal for cold chain and cold storage applications
- Optional smart sensors for extended functions e.g. screen blanking for driving safety

### Introduction

DLT-V72 is a rugged vehicle-mounted terminal designed for logistics applications and to provide maximum system uptime. The thin bezel design allows to fit it into the smallest vehicle cabinet. Through its compact design it does not block the drivers viewable area, hence it is reducing the risk of an accident. Powered by an Intel® Atom™ E3845 quad-core, 1.91 GHz, processor with 4 GB RAM, DLT-V72 supports a wide operating temperature range (-30 ~ 50 °C/-22 ~ 122 °F) to withstand operation in extreme industrial environments (from hot and humid, to dry freezer environments). The integrated Advantech low-profile antenna offers excellent transmission capabilities in a compact form factor. Meanwhile the touchscreen with touch control ensures easy input and gloved operation.

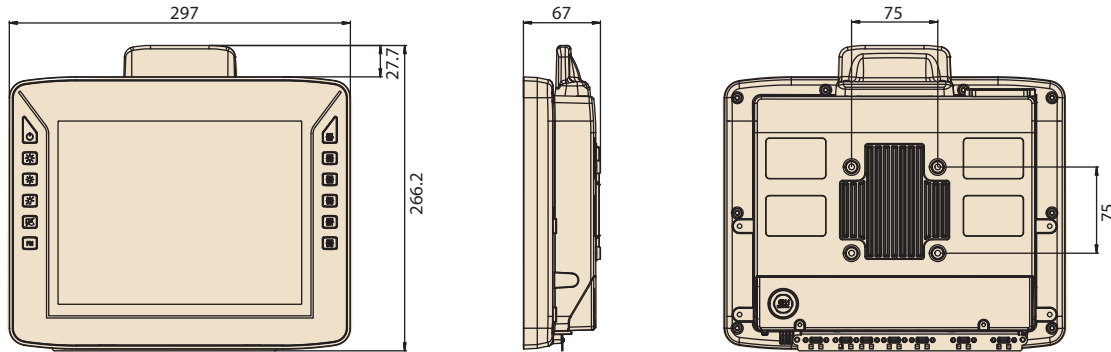
### Specifications

|                 |                          |   |
|-----------------|--------------------------|---|
| System          | CPU                      | Intel® Atom™ E3845 quad-core, 1.91 GHz, 4 GB RAM  |
|                 | Memory                   | 8GB - 256GB CFast   |
| Dimensions      | DLT-V7210                | 296.4 x 266.2 x 66.7 mm (11.67 x 10.48 x 2.63 in)   |
|                 | DLT-V7212                | 334.4 x 294.4 x 68.7 mm (13.17 x 11.59 x 2.70 in)   |
| Weight          | DLT-V7210                | 3.7 kg (8 lb) without battery pack/antenna/accessories  |
|                 | DLT-V7212                | 4.65 kg (10 lb) without battery pack/antenna/accessories  |
| Housing         |                          | Completely sealed, fanless design made of coated aluminum   |
| Display         | DLT-V7210                | 10.4" XGA color TFT with 1024 x 768 resolution and 400 cd/m <sup>2</sup> brightness   |
|                 | DLT-V7212                | 12.1" XGA color TFT with 1024 x 768 resolution and 500 cd/m <sup>2</sup> brightness   |
| Touchscreen     | Type                     | - Resistive touchscreen with optional screen defroster<br>- Projective capacitive (P-CAP) touchscreen with multi-touch control  |
| Control Buttons | Front Panel              | 12 x control buttons  |
| Software        | Operating System         | Windows 10 IoT Enterprise, Windows 7 Pro, Windows Embedded Standard 7, Debian-based Linux, IGEL Linux   |
|                 | Emulations (Third-Party) | VT100, VT220, IBM 5250, TN 3270, Citrix Client®, Freefloat Access One   |
| Communication   | WLAN                     | WLAN IEEE 802.11 a/b/g/n/ac (optional)  |
|                 | WWAN                     | WWAN (LTE, UMTS, HSPA+, GSM, GPRS, EDGE) (optional)   |
|                 | LAN                      | Ethernet 10/100/1000 Mbit/s   |
|                 | WPAN                     | Bluetooth 4.2 (optional)  |
| Interfaces      | Serial                   | 2 x RS-232, COM1 with switchable 5 V <sub>DC</sub> /RI  |
|                 | USB                      | 4 x USB 2.0 (Hi-Speed™) bootable, 1 x service USB 3.0 (Super-Speed™)  |
|                 | External Antennas        | 1 x RSMA for WLAN, 1 x SMA for WWAN (optional)  |
| Sensors         |                          | Accelerometer, Gyro (optional)  |
| Audio           |                          | 1 x integrated speaker (2W)   |
| Power Supply    |                          | 12/24/48 V <sub>DC</sub> nominally<br>Automatic Power On/Off function via vehicle ignition with optional UPS (20 minutes typical);<br>battery life may vary according to load |
| Environmental   | IP Rating                | IP66 rating for the entire system   |
|                 | Operating Temperature    | -30 ~ 50 °C (-22 ~ 122 °F)  |
|                 | Relative Humidity        | 10 to 90% at 40 °C (104 °F), non-condensing   |
|                 | Shock/Vibration          | 5M3 (EN 60721-3-5) and MIL-STD 810F (US highway truck vibration exposure)   |
|                 | Touchscreen Durability   | IK 08   |
| Certifications  |                          | CE Immunity Class A, Emission Class B/FCC Class B (for EU and USA), CCC (for China)   |

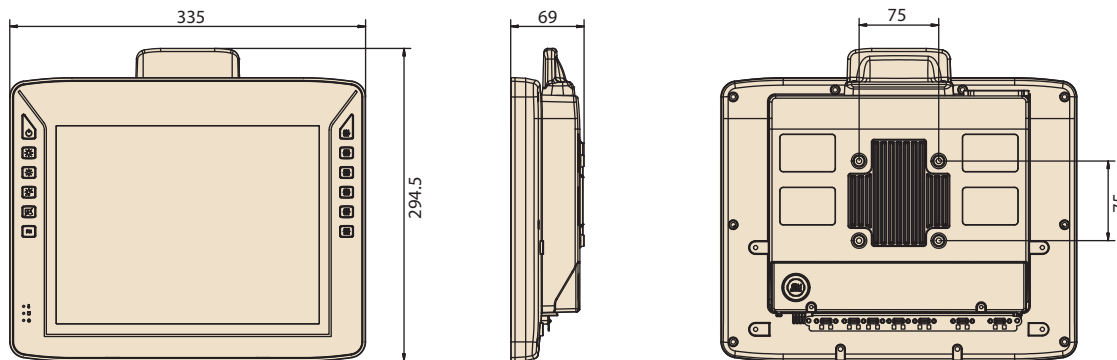
## Dimensions

Unit: mm

### DLT-V7210



### DLT-V7212

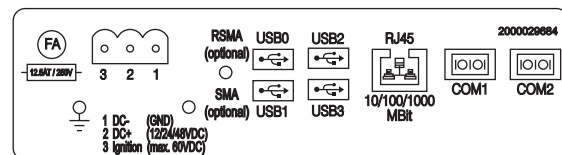


## Optional Accessories

| Part Number | Description                               |
|-------------|---|
| DL-MTKT009  | Mounting bracket mobile                   |
| DL-MTRM004  | RAM-Mount Set, one arm, arm length 130mm  |
| DL-MTRM003  | RAM-Mount Set, one arm, arm length 215mm  |
| DL-MTRM001  | RAM-Mount Set, two arms, arm length 150mm |

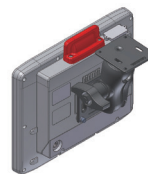
Further configurations on request!

## I/O Connectors

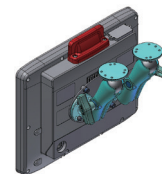


## Mount Kit Options

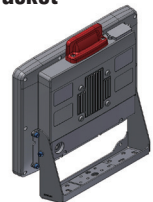
RAM-Mount Set  
(one arm)



RAM-Mount Set  
(two arms)



Mobile Mounting  
Bracket



# Microtron®

Flexible electronic solutions