



## RAYCHEM INSTALITE MOLDED BOOTS

ADVANCED MATERIALS SCIENCE DRIVES UP TO 30% WEIGHT SAVINGS . . . REDUCES INSTALLATION TIME WITH HIGH-PERFORMANCE HEAT-SHRINK SHAPE MEMORY BOOTS

# Microtron<sup>®</sup>

Flexible electronic solutions

Microtron n.v. | Generaal De Wittelaan 7 | B-2800 Mechelen | T +32 (0) 15 29 29 29 | [info@microtron.be](mailto:info@microtron.be) | [www.microtron.be](http://www.microtron.be)  
Microtron b.v. | Hoevestein 11 | NL-4903 SE Oosterhout | T +31 (0) 162 44 72 72 | [info@microtron.nl](mailto:info@microtron.nl) | [www.microtron.nl](http://www.microtron.nl)

# INSTALITE MOLDED BOOTS

## High-Performance Heat-Shrink Boots



### WEIGHT SAVINGS

- 20% to 30% lighter than standard -25 parts

### TIME SAVINGS

- Optimized interior geometry speeds installation time
- Faster recovery

### RUGGED

- -75°C to 150°C temperature range
- Resists most common military fuels, oils, and greases
- Abrasion resistant

### COMPATIBLE

- Part of System 25 harnessing components
- Lighter weight drop-in replacement for standard -25 boots
- Meets the requirements of VG 95343 Parts 6 and 18

### APPLICATIONS

- Military ground systems
- Aerospace
- Marine

INSTALITE boots are a lighter weight alternative of our -25 heat-shrink boots. Utilizing our expertise in fluid-resistant, modified elastomers, we've created semi-rigid, abrasion-resistant boots that are up to 30% lighter than our standard -25 boots. INSTALITE boots offer the same balance of high-temperature fluid resistance and long-term heat resistance.

## Product Performance

### PHYSICAL CHARACTERISTICS

- **Tensile strength:** 10 MPa (1450 psi) min.
- **Ultimate elongation:** 400% min.
- **Specific gravity:** 1 (±0.05)

### THERMAL CHARACTERISTICS

- **Heat aging** (168 hr @ 160°C): 400% min. ultimate elongation
- **Heat shock** (4 hr @ 215°C): 400% min. ultimate elongation
- **Low-temperature flexing** (4 hr @ -75°C): No cracking
- **Flammability burn time:** 120 seconds max

### ELECTRICAL

- **Electrical strength:** 15 MV/m (4.6 MV/ft)

### FLUID RESISTANCE

(Aviation Fuel, Hydraulic Fluids, Lubricating Oil, Cleaning Fluids, Deicers)

- **After 24-hr immersion:** 8 MPa (1160 psi) min. tensile strength  
300% min. ultimate elongation

### DOCUMENTS

- **RW-3040:** Product specification
- **ELE-3COP-555:** Installation of 90° boot
- **ELE-3COP-554:** Installation of straight boot

### TOOLING

- **Heat gun:** CV 1981

### INSTALLATION TIME

(Timings are representative across the range based on our codes of practice)

- **System 25 boot:** 2 minutes 24 seconds
- **System 25L boot:** 1 minute 41 seconds

Visit [www.te.com/INSTALITE](http://www.te.com/INSTALITE) to view our installation video.

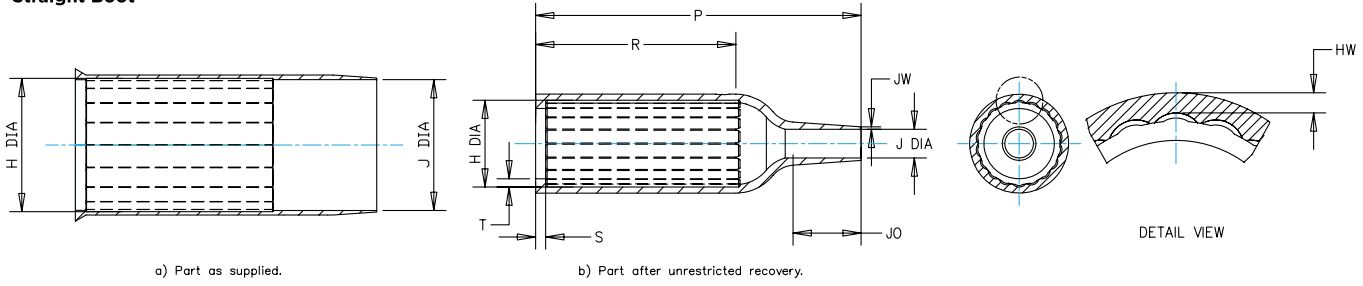
### TE Components ... TE Technology ... TE Know-how ...

AMP | Agastat | CII | Hartman | Kilovac | Microdot | Nanonics | Raychem | Rochester | DEUTSCH

Get your product to market faster with a smarter, better solution.

# Instalite Molded Boots

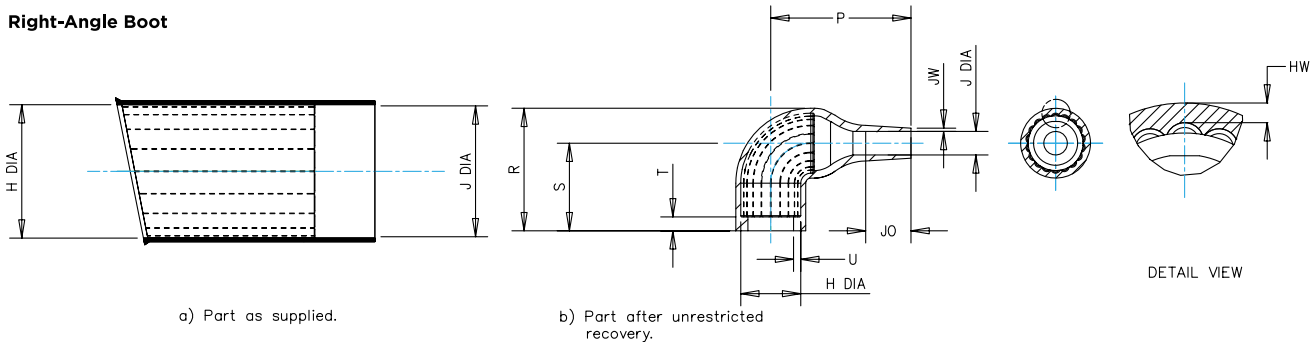
## Straight Boot



Part No.	H		J		P ±10% b	R ±10% b	HW ±20% b	JW Min. b	Avg Weight Savings
	Min. a	Max. b	Min. a	Max. b					
202K121-25L-0	24 [0.95]	10.4 [0.41]	24 [0.95]	5.6 [0.22]	38 [1.50]	21 [0.83]	1.3 [0.05]	0.9 [0.04]	20%
202K132-25L-0	30 [1.18]	14.2 [0.56]	30 [1.18]	5.9 [0.23]	55 [2.17]	32 [1.26]	1.3 [0.05]	1.0 [0.04]	20%
202K142-25L-0	31 [1.22]	18 [0.71]	31 [1.22]	7.1 [0.28]	67 [2.64]	35 [1.38]	1.2 [0.04]	1.0 [0.04]	20%
202K153-25L-0	36 [1.42]	22.4 [0.88]	36 [1.42]	8.4 [0.33]	80 [3.15]	42 [1.65]	1.5 [0.06]	1.0 [0.04]	23%
202K163-25L-0	43 [1.69]	28.2 [1.11]	43 [1.69]	9.9 [0.39]	99 [3.90]	61 [2.40]	2.0 [0.08]	1.2 [0.05]	28%
202K174-25L-0	60 [2.36]	35.1 [1.38]	60 [2.36]	15.7 [0.62]	130 [5.12]	72 [2.83]	2.3 [0.09]	1.5 [0.06]	22%
202K185-25L-0	66 [2.60]	44.5 [1.75]	66 [2.60]	16.8 [0.66]	170 [6.69]	90 [3.54]	1.8 [0.07]	2.0 [0.08]	21%

See the latest Specification Control Document for full dimensions

## Right-Angle Boot



Part No.	H		J		P ±10% b	R ±10% b	S ±10% b	HW ±20% b	JW Min. b	Avg Weight Savings
	Min. a	Max. b	Min. a	Max. b						
222K121-25L-0	24 [0.95]	10.4 [0.41]	24 [0.95]	5.6 [0.22]	25 [0.98]	25 [0.98]	19 [0.75]	1.3 [0.05]	0.5 [0.02]	30%
222K132-25L-0	30 [1.18]	14.2 [0.56]	30 [1.18]	5.9 [0.23]	32 [1.26]	27 [1.06]	20 [0.79]	1.3 [0.05]	0.8 [0.03]	26%
222K142-25L-0	31 [1.22]	18 [0.71]	31 [1.22]	7.1 [0.28]	39 [1.54]	31 [1.22]	21 [0.83]	1.2 [0.04]	1.0 [0.04]	21%
222K152-25L-0	36 [1.42]	22.4 [0.88]	36 [1.42]	8.4 [0.33]	46 [1.81]	38 [1.50]	26 [1.02]	1.5 [0.06]	1.0 [0.04]	26%
222K163-25L-0	43 [1.69]	28.2 [1.11]	43 [1.69]	9.9 [0.39]	55 [2.17]	45 [1.77]	30 [1.18]	2.0 [0.08]	1.0 [0.04]	21%
222K174-25L-0	60 [2.36]	35.1 [1.38]	60 [2.36]	15.7 [0.62]	80 [3.15]	54 [2.13]	35 [1.38]	2.3 [0.09]	1.5 [0.06]	23%
222K185-25L-0	66 [2.60]	44.5 [1.75]	66 [2.60]	16.8 [0.66]	108 [4.25]	68 [2.68]	42 [1.65]	1.8 [0.07]	2.0 [0.08]	25%

See the latest Specification Control Document for full dimensions

For More Information

# Microtron®

Flexible electronic solutions

Microtron n.v. | Generaal De Wittelaan 7 | B-2800 Mechelen | T +32 (0) 15 29 29 29 | info@microtron.be | www.microtron.be  
Microtron b.v. | Hoevestein 11 | NL-4903 SE Oosterhout | T +31 (0) 162 44 72 72 | info@microtron.nl | www.microtron.nl

© 2014 TE Connectivity Ltd. family of companies. All Rights Reserved.

1-1773847-4 ADM/RRD 2.5M 11/2014

INSTALITE, Raychem, TE Connectivity and the TE connectivity (logo) are trademarks of the TE Connectivity Ltd. family of companies.

Other product or company names mentioned herein may be trademarks of their respective owners.

While TE has made every reasonable effort to ensure the accuracy of the information herein, nothing herein constitutes any guarantee that such information is error-free, or any other representation, warranty or guarantee that the information is accurate, correct, reliable or current. The TE entity issuing this publication reserves the right to make any adjustments to the information contained herein at any time without notice. All implied warranties regarding the information contained herein, including, but not limited to, any implied warranties of merchantability or fitness for a particular purpose are expressly disclaimed. The dimensions herein are for reference purposes only and are subject to change without notice. Specifications are subject to change without notice.

Consult TE for the latest dimensions and design specifications.