

# CIRCULAR ANTENNAS

**MT-242042/NLH**  
**902-928 MHZ, 7DBIC LHCP FORKLIFT ANTENNA**



## ELECTRICAL

REGULATORY COMPLIANCE	RoHS, CE 0682
FREQUENCY RANGE	902 - 928 MHz
GAIN	6.5 dBic (min) 7.5 dBic (max)
VSWR	1.3 :1 (typ) , 1.5 : 1(max)
POLARIZATION	LHCP
3dB ELEVATION BEAMWIDTH	75° (typ)
3dB AZIMUTH BEAMWIDTH	75° (typ)
F/B RATIO	-15 dB (typ)
POWER	6W (max)
INPUT IMPEDANCE	50 (ohm)
AXIAL RATIO AT BORESIGHT	3.5 dB (max)
LIGHTNING PROTECTION	DC Grounded

## MECHANICAL

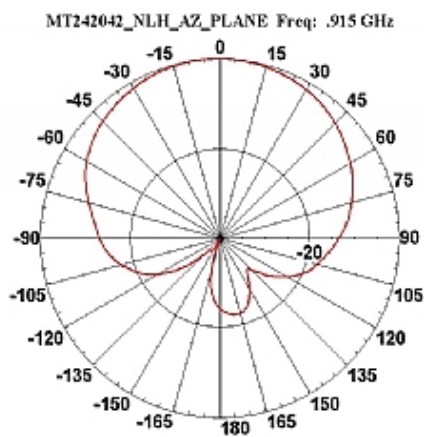
DIMENSIONS (LxWxD)	190 x 190 x 30mm (max)
CONNECTOR	Right angle N-Type female
WEIGHT	2 kg (max)
STRUCTURE	Flat antenna housed in Aluminum with chemical conversion coating enclosure.
OUTLINE DRAWING	RD42815500C

## ENVIRONMENTAL

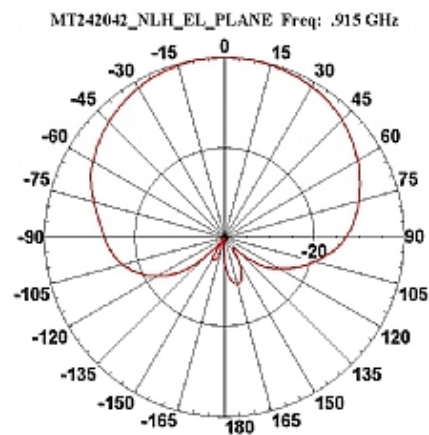
TEST	STANDARD	DURATION	TEMPERTURE	NOTES
------	----------	----------	------------	-------

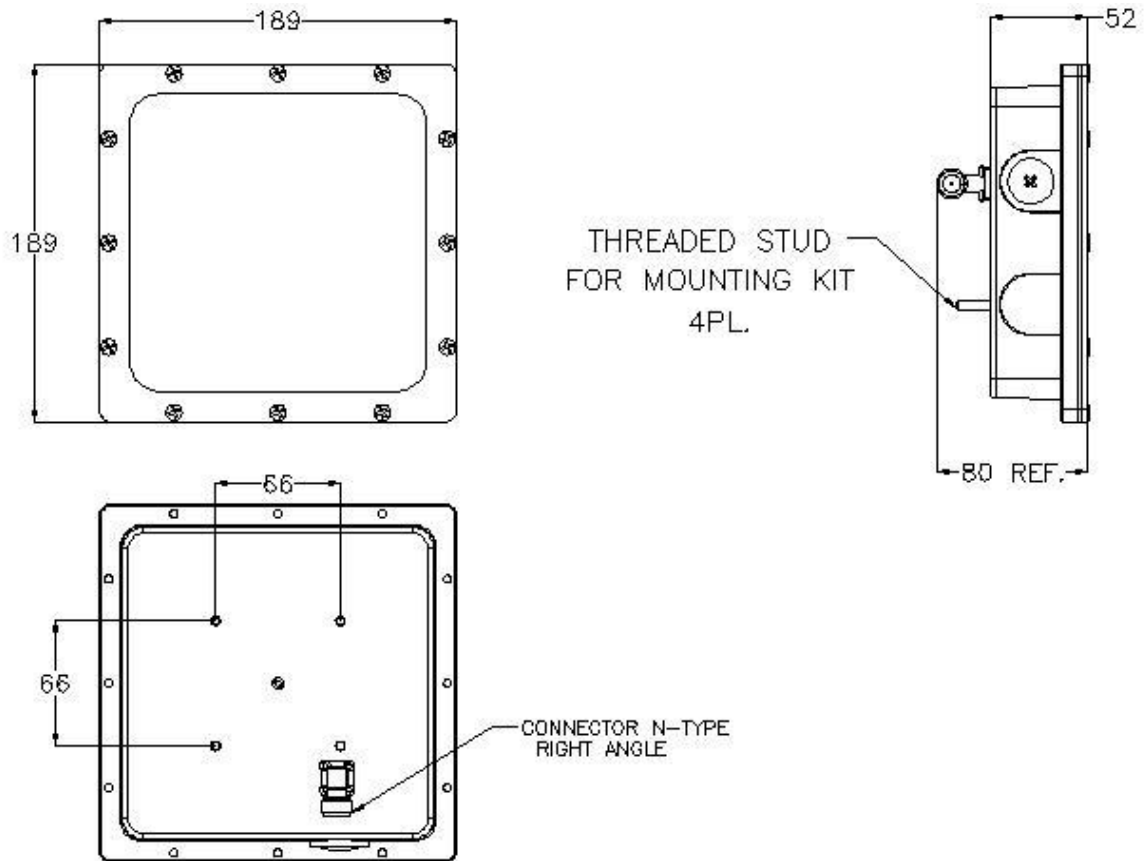
LOW TEMPERATURE	IEC 68-2-1	72 h	-55°C	
HIGH TEMPERATURE	IEC 68-2-2	72 h	+71°C	
TEMP. CYCLING	IEC 68-2-14	1 h	-45°C +70°C	3 Cycles
THERMAL SHOCK NONO-OPERATING			-30°C to+70°C	Ramp 30°C/min
HUMIDITY	ETSI EN300-2-4 T4.1E	144 h		95%
WATER TIGHTNESS	IEC 529			IP66
DUST RESISTANCE				IP66
SOLAR RADIATION	ASTM G53	1000h		
OZONE RESISTANCE	ETSI 300			
FLAMMABILITY	UL 94			Class HB
QUASI RANDOM VIBRATION				2 0g rms for 4 hours
VEHICLE VIBRATION OPERATING	1 grms, 10-500 Hz, in 3 axis			6 hours total, 2 hr in each axis. Accelerated wear – an additional 50hrs in worst case axis.
MECHANICAL SHOCK OPERATING	10g, 11msec, half sine pulse			

**AZIMUTH RADIATION PATTERN MIDBAND  
FREQ. 0.915 GHZ**



**ELEVATION RADIATION PATTERN MIDBAND  
FREQ. 0.915 GHZ**





#### WAIVER!

While the information contained in this document has been carefully compiled to the best of our present knowledge, it is not intended as presentation or warranty of any kind on our part regarding the fitness of the products concerned for any particular use or purpose and neither shall any statement contained herein be construed as a recommendation to infringe any industrial property rights or as a license to use any such rights. The fitness of each product for any particular purpose must be checked beforehand with our specialists.

**Microtron**<sup>®</sup>  
Flexible electronic solutions